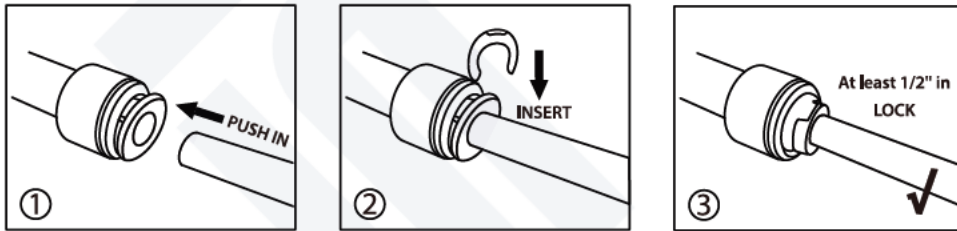
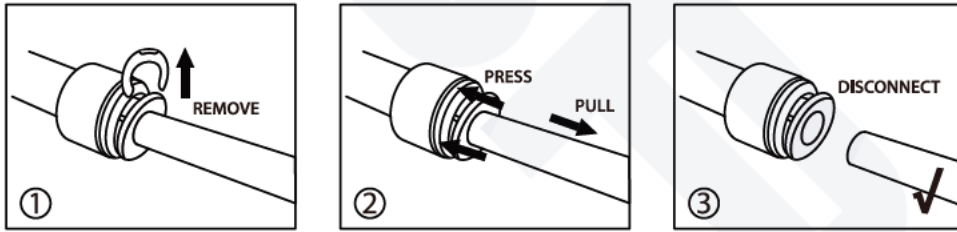


HOW TO CONNECT



HOW TO DISCONNECT



iSpring Standard Limited Warranty (End-Users Only)

In order to be eligible for this warranty, the end-user must register at www.123filter.com.

For all water filtration systems, and upon registration by the end-user, iSpring Water Systems, LLC (iSpring) warrants for a one year from the date of purchase that the product is free of defects in materials and workmanship and that it will function for the duration of the warranty according to its specifications (the "Limited Warranty"). EXCEPT FOR THIS LIMITED WARRANTY, ISPRING EXPRESSLY DISCLAIMS ANY AND ALL REPRESENTATIONS AND WARRANTIES, WHETHER EXPRESS, IMPLIED, OR STATUTORY, INCLUDING ANY WARRANTIES OF TITLE, NON-INFRINGEMENT, MERCHANTABILITY OR FITNESS FOR A PARTICULAR PURPOSE. iSpring has no liability for any defect or deterioration which results from the improper installation, service, repair or use of the product. End-user's sole and exclusive remedy for any breach of the Limited Warranty shall be repair or replacement, at iSpring's option and expense. This warranty is only provided to end-users and only applies to products purchased directly from an authorized iSpring dealer or reseller.

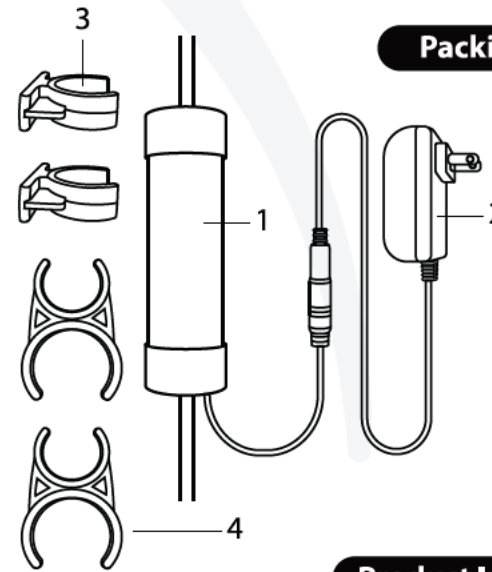


+1 (678) 261-7611
support@123filter.com
www.123filter.com
Atlanta, GA USA



iSpring UVF8 LED UV Drinking Water Faucet Add-on Kit

Ver. 01/2023



Packing List

1	LED UV Chamber
2	Power Adapter
3	Single Clamps
4	Double Clamps
5	Users' Manual

Product Introduction

This kit is designed to be added to any water filtration system with a 1/4" water output. UV-C LED performs the same functions of a conventional mercury-vapor UV lamp but it is more environmentally friendly, much more compact in size, will not transfer heat to water, and has a much longer service life (Up to 7000 hours). This kit comes with a flow sensor and delayed timer, to turn on the UV light only when water passes by, and keep on for 3 minutes after. In most cases, this kit DOES NOT require replacement during the entire service life.

Maximum Flow Rate (16mj/cm ² at 95% UVT)	1 GPM
Operating Temperature	32 - 132 °F
Tubing Size	1/4" quick fitting
Input Voltage	12 - 24 V DC
Input Power	8 W
Service Life	Up to 7000 hours*

Operation Requirements

UV Transmittance	>93%	Temperature	32-132°F (0 - 45°C)
Hardness	<120 mg/L	Turbidity	<1 NTU
Manganese	<0.05 mg/L	Tannins	<0.1 mg/L
Iron	<0.3 mg/L		

Installation

This kit can be either mounted on the iSpring FT15 and FA15 filters, or any standard size inline post filters on a reverse osmosis system (figure a) or mounted vertically on the back of a cabinet then connected to the filter output with 1/4" tubing (figure b). Mounting is optional since the weight of the kit is minimal.

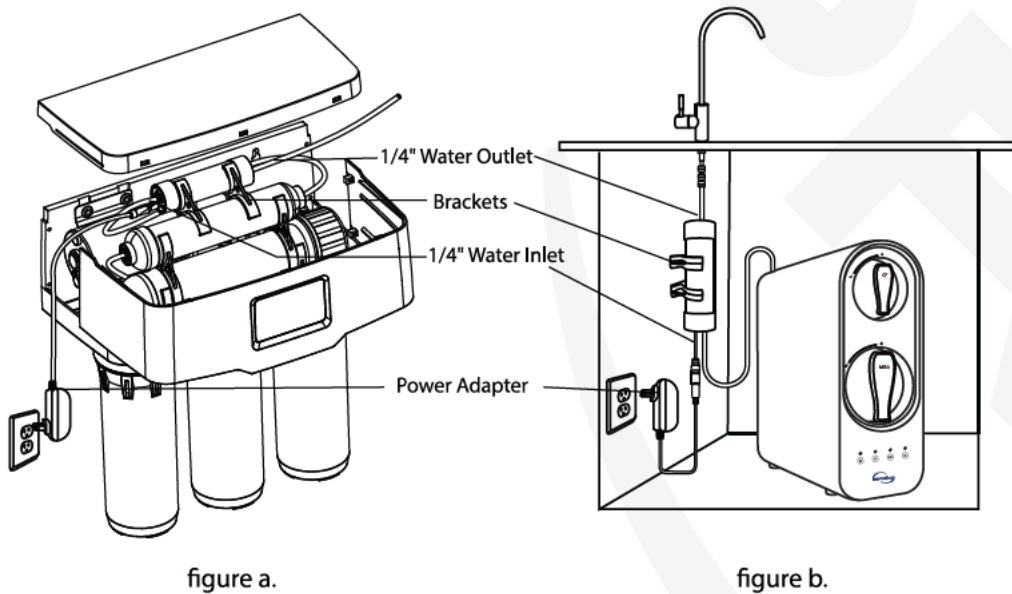


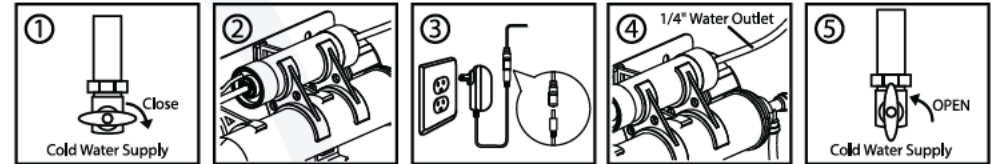
figure a.

figure b.

Steps for figure a.:

1. Cut down the water supply and power supply (if applicable) on the water filter which the kit is to be added on. If there is a water tank, turn off the tank ball valve as well.
2. Fit the kit to the clamp the other side of the clamp to the inline post filters of your application.
3. Connect the power wiring and plug the power adapter to the outlet. Connect the water output of the filtration system to the "in" port on the kit.

4. Connect the "out" port to the faucet of the system with a 1/4" tubing. Refer to the "How to use quick fitting" section below.
5. Turn on the water supply. The installation is now completed. The indicator light will turn green while the UV kit is working.



Steps for figure b.:

1. Cut down the water supply and power supply (if applicable) on the water filter which the kit is to be added on. If there is a water tank, turn off the tank ball valve as well.
2. Connect the power wiring and plug the power adapter to the outlet.
3. Connect the water output of the filtration system to the "in" port on the kit. Connect the "out" port to the faucet of the system with a 1/4" tubing. Refer to the "How to use quick fitting" section below.
4. Place the kit to the clamp, remove the adhesive on the back of the clamp, then attach the clamp to a desired position.
5. Turn on the water supply. The installation is now completed. The indicator light will turn green while the UV kit is working.

