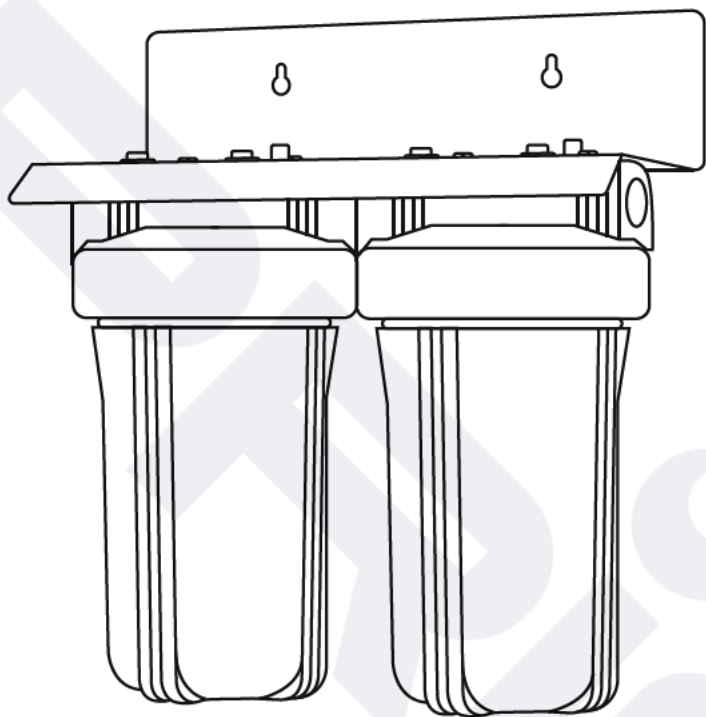


UNDERSINK

iSpring US21B Heavy-Duty 2-Stage Direct Connect Water Filtration System



INSTALLATION INSTRUCTIONS & OWNER'S MANUAL

Ver. 07/2021



Copyright ©2005-2021 ISPRING WATER SYSTEMS, LLC. All rights reserved.



Thank you for choosing iSpring US21B Heavy Duty 2-Stage Direct Connect Water Filtration System! Built from quality components and delivering exceptional performance, this system is designed to provide you and your loved ones with a continuous on-demand supply of clean and refreshing filtered water whenever your kitchen faucet is on.

Please keep this owner's manual for future reference. It includes the necessary information on how to properly install, operate, and maintain your iSpring US21B Heavy Duty 2-Stage Direct Connect Water Filtration System.

Attention Installers

DO NOT use petroleum based lubricant on o-rings.
DO NOT use white plumber's grease or faucet/valve lubricant on o-rings.
O-rings that ship with this system are pre-lubricated and ready for installation.

When additional lubrication is needed, please contact us at 678-261-7611 (M-F, 8:30 - 5:30 EST) or email us at support@ispringfilter.com.

Fitting Installation

Depending on the actual size of the pipe, up to 12 - 15 wraps of plumber's tape might be required to seal the pipe connections. Apply 6 - 7 wraps of tape and press into threads without cutting. Apply 6 - 7 more wraps and neatly form before installation.

Plumber's tape can be purchased on our website at www.123Filter.com.

Table of Contents

Product Specifications	1
Specifications	1
Components List	1
Recommended Tools	1
Installation Instructions	2
Step 1 – Water Supply Connection	2
Step 2 – Install Filters	3
Maintenance Instructions	4
Filter Change Instructions	4
Warranty	6
Warranty Registration Form	8

Product Specifications

Specifications

Model	US21B
Flow Rate	3 - 15 GPM
Peak Flow Rate	15 GPM
Minimum Working Pressure	25 psi
Maximum Working Pressure	80 psi
Operating Temperature	40 - 100 °F (4 - 37 °C)
pH Range	6.0 - 9.0

Components List

Part	Description	Qty
System Bracket with Caps	Metal bracket with 1" NPT inlet / outlet Black caps	1
Housing	Housing with o-rings X 2 Model # HB18B	2
Cartridges	1st stage GAC+KDF carbon filter X 1 2nd stage CTO carbon block filter X 1 Model # FG15B-KS and FC15B	2
Wrench	Housing Wrench Model # AWR3	1
Plumber's Tape	Plumber's Tape Model# ATAPE	1
Installation Kit	1" MNPT X 3/8" MNPT push-fit hose X 1 1" MNPT X 3/8" FNPT push-fit hose X 1 Model # 78016 and 78017	2

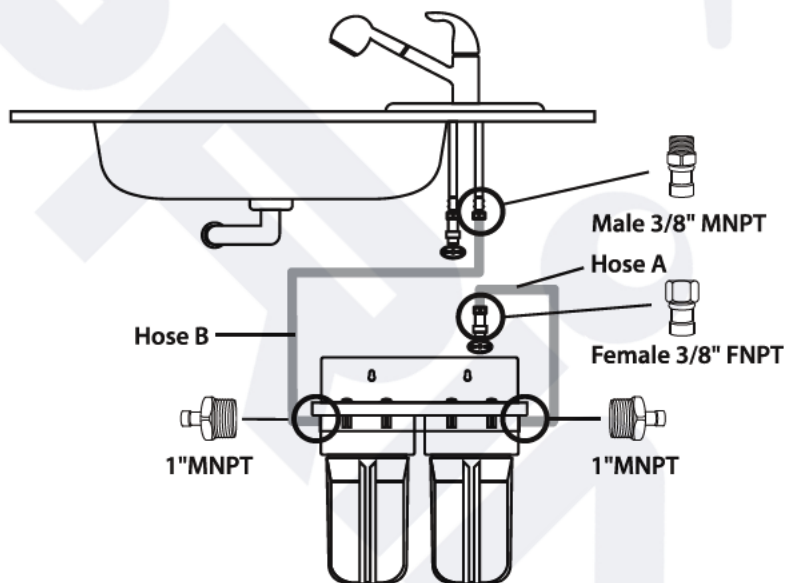
Recommended Tools

Safety glasses	Hacksaw
Towels	Soldering iron or torch
Flat head screwdriver	Adjustable wrench
Medium Crescent wrench	Plumber's tape

Installation Instructions

Step 1 – Water Supply Connection

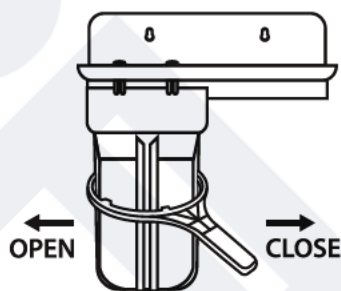
- 1.1 Turn off the cold water line under your sink. Open the kitchen faucet to release any pressure and ensure the water has stopped before proceeding. Use a towel or bucket to catch any water drips.
- 1.2 This system comes with a complementary quick installation kit that connects the system to the existing under sink water supply. Disconnect the cold water line from the water inlet with a wrench.
- 1.3 Connect both hoses to the system by screwing the 1" Male NPT into the female thread on both ends of the system. 78017 (Hose A) should connect to the incoming line, while 78016 (Hose B) should connect to the outgoing line. To secure the connection, wrap 3-4 rounds of plumber's tape (included) on the male threads to prevent leaks. Do not over tighten.



- 1.4 Connect the 3/8" female threads of Hose A to the incoming water adapter. Then screw the 3/8" male threads of Hose B to the cold water line of the kitchen faucet. Again, use plumber's tape on all male threads to prevent leaks. Avoid over tightening.
- 1.5 Hose installation is now complete, but do not turn on the water supply. Remove both housings with the housing wrench (included) and proceed to the next step.

Step 2 – Install Filters

- 2.1 Verify that the O-ring is properly seated inside the groove on top of the filter housing. A light amount of food-grade, silicon jelly may be used to help the O-ring seal better if desired but is not required.
- 2.2 The filter cartridges are individually sealed. Note the direction sign on the sticker prior to removing the wrap.
- 2.3 When placing the filter cartridge into the housing, make sure it is centered and the protruding knob at the bottom of the housing fits securely in the filter's central hole.
- 2.4 Screw the housing, with filters attached, onto the cap, which has a center knob that should be inserted into the center hole of the filter cartridge. Turn the housing in a clockwise direction by hand, then use the housing wrench to tighten it another 1/4 – 1/2 of a turn and ensure it is snug. Do not over-tighten. This can cause leaks and make it difficult to unscrew the housing when replacing filters.



- 2.5 Slowly turn on water main to fill the housing. After a few minutes, the sound of water entering the system will stop. Check for leaks to verify the system is operating properly. Open the cold water faucet and run water for about 10 minutes to expel any carbon fines. Let the unit sit for several minutes. Repeat if necessary.
- 2.6 Turn off the faucet, and your system is now ready for use.

⚠ NOTICE:

The water may have a blackish color for the initial flush. This is caused by residual carbon dust and is to be expected. Continue to run water until the color becomes clear and all air has been purged. It is not unusual for the water to appear "cloudy" for a day or so following installation. This cloudiness is actually tiny air bubbles being purged from the filters. This is normal and will cease after a few days of operation.

⚠ NOTICE:

After prolonged periods of non-use (such as a long vacation), it is recommended that the system be flushed thoroughly for at least 10 minutes prior to use.

Maintenance Instructions

Your iSpring US21B Under-Sink Direct Connect Water Filtration System requires periodic care and cleaning throughout its lifetime. It is recommended that the cartridges be replaced every 12-24 months, depending on the quality of source water. If the system has been functioning properly and the water flow is slowing down, this could indicate that it is time to change the filter cartridges.

Replacement cartridges and parts can be ordered online at www.123Filter.com or by calling 678-261-7611.

Filter Change Instructions

Step 1 - Remove Old Cartridge

- 1.1 Turn off the water supply to the system. Open the kitchen faucet to release the remaining pressure and drain the water.
- 1.2 Unscrew the housing using the filter wrench included (AWR3) with your system, or a strap wrench.
- 1.3 Locate and remove the large O-ring using a small, clean flat head screwdriver. Avoid removing any of the lubricant, and set it aside in a clean, safe place.
- 1.4 Remove and discard the old filter cartridges.

Step 2 - Clean the Housing

- 2.1 Scrub the housing and cap with a mixture of lukewarm water and about 2 tablespoons of household bleach using a sponge or soft cloth. For your safety, wear rubber gloves. **Rinse all parts thoroughly.**
- 2.2 Lubricate the O-ring with clean silicone grease if needed. **Do not use petroleum jelly.** Insert the O-ring into the filter groove and press into place. **Verify the O-ring is seated correctly.**

⚠ CAUTION:

This step ensures the proper filter seal. Make sure the O-rings (ORB) are level when seated in the groove. If the O-ring appears damaged, stretched, or crimped, it should be replaced. You can get replacement O-rings at www.123Filter.com.

Step 3 - Install the New Cartridge

- 3.1 Remove the new filter packaging and insert the filter cartridge into the housing, making sure they slip over the bottom standpipe.
- 3.2 Align the bottom of the housing with the cap and hand tighten, then use the filter wrench (AWR3) until snug. **Do not over-tighten.**
- 3.3 Close any open valves. Turn on the water supply slowly to allow the system to fill with water. **Inspect carefully for leaks.** If a leak is found, remove the housing and inspect the O-ring to ensure that it is seated properly, and then retighten.

Step 4 - Flush the System

- 4.1 Flush the system by turning on a cold-water faucet. Allow the water to run until the air and carbon has been purged. Water may initially appear cloudy as the filters and system remove trapped air. New activated carbon filter cartridges may contain loose carbon and air bubbles after installation.

Warranty

Visit www.123Filter.com to complete the warranty registration form online.

iSpring 1-Year Limited Warranty

This 1-Year Warranty extends to the original purchaser of the system only. This warranty only covers all manufacturer-supplied items that prove to be defective in material, workmanship, or factory preparation. This warranty covers parts only; all labor is excluded from this warranty, including, but not limited to, services related to the removal, replacement, installation, adjustment, maintenance, and/or repair of the unit or its component items. This warranty applies only for the first full calendar year from date of purchase. The following items are excluded from this warranty: Filter Cartridges, and the O-rings that require regular replacement as a result of ordinary usage.

No warranty is made with respect to defects or damages due to neglect, misuse, alterations, accident, misapplication, physical damage, or damage caused by fire, acts of God, or freezing. These warranties apply only to the original registered owner so long as the owner owns the home in which the unit was originally installed. Customer must register their system with iSpring within 90 days of purchase in order to obtain a warranty. Warranty will discontinue after the unit is removed from the location where it was originally installed. Warranty begins on the date of delivery of product to the customer. Improper maintenance of system (i.e. not replacing filters or media) on time will be considered "neglect". Installation of any system on water conditions outside of or beyond the recommended specs of any system voids any warranty.

Disclaimers: This Limited Warranty applies only if the system is installed, used, and maintained in compliance with all instructions and requirements enclosed with the system. This warranty will be void for failure to observe the following conditions:

1. The system is to be used with potable water supply only.
2. Feed water pressure to the unit is no less than 25 psi and no greater than 80 psi.
3. Feed water temperature to the unit must be no less than 40°F and no more than 100°F.
4. Feed water must have a pH between 6 and 11.

While the testing was performed under standard laboratory conditions, actual performance may vary. The Manufacturer does not know the characteristics of your water supply. The quality of water supplies may vary seasonally, or over a period of time. Your water usage may vary as well. The Manufacturer assumes no liability for the determination of the proper equipment necessary to meet your requirements, and we do not authorize others to assume such obligation on our behalf.

This Limited Warranty does not cover any Manufacturer-supplied items that are defective as a result of the use of improper parts, equipment or materials. This warranty does not cover alterations or modifications of the unit or failure of a unit caused by such alterations and modifications.

Incidental and Consequential Damages Limitation: The Manufacturer will not be responsible for any incidental or consequential damages as a result of the failure of this unit to comply with express or implied warranties or any defect in the unit, including but not limited to, lost time, inconvenience, damage to personal property, loss of revenue, commercial losses, postage, travel, telephone expenditures, or other losses of this nature. In case some states do not allow the exclusion or limitation of incidental or consequential damages, you may choose to return the system. If you choose to keep it, you understand this exclusion WILL STILL apply to you.

Owner's Warranty Responsibilities: As a condition of this Limited Warranty, the owner must ensure that periodic maintenance of the system is performed as described in the literature enclosed with the system. Neglect, improper maintenance, abuse, modification, or alteration of the unit will invalidate this warranty. Should your unit develop a defect or otherwise fail to perform in accordance with this warranty, you should contact the retailer from whom the product was originally purchased.

Implied Warranties: The implied at-law warranties of merchantability and fitness for a particular purpose shall terminate on the date one year after the date of purchase.

To register your product for the warranty, visit our website www.123Filter.com and go to the **"Warranty Registration"** tab. This is **the fastest and most convenient** way to get your warranty registration activated.

We provide a **30-day money back guarantee, a 1-year manufacturer warranty, and lifetime tech support** for all of our major water filtration systems. However, we do not access and store order information from websites other than 123Filter.com (including Amazon, Home Depot, Lowes, etc.), so be sure to fill in that information upon registration of your system. If you have any questions or concerns about your product, please call or email us, or submit your feedback in the notes/comments during warranty registration. **Your satisfaction is our business!**

Warranty Registration Form

Name _____

Order# _____

Email _____

Phone _____

Address _____

City _____

State _____

Zip Code _____

Model #/ Serial Number

Purchased at (e.g. Amazon, Home Depot)

iSpring Water Systems, LLC
2480 Industrial Park Blvd, Cumming, GA 30041
678-261-7611

Plumber's information (Optional)

To best serve our customers, we'd like to recommend good plumbers throughout the USA. If you are happy with your installer, please provide their information so that we can pass it on as a courtesy.

Thank you!

Name of the plumbing company used to install your system:

Phone #: (____) - _____ or email : _____
of the technician.



Like our products?
Please show your support by writing a product review on the marketplace where you make your purchase. Even just a quick statement means a lot to us.

Thank you!

iSpringFilter.com



For questions, comments, or technical support, please contact us at:

✉ support@123filter.com

☎ (678) 261-7611

☎ (470) 560-0012

Monday-Friday 8:30 a.m. - 5:30 p.m. EST

Water's Good™